

KPCMCIA-PIO24-C



- 24 TTL/DTL-compatible digital I/O lines
- Compatible with industry standard PIO-12
- Unidirectional and bidirectional I/O
- PCMCIA Type II card
- Compatible with Keithley accessories
- Hot swapping supported
- 32-bit DriverLINX drivers plus a suite of bundled software including ExceLINX, VisualSCOPE, TestPoint, and LabVIEW drivers

Ordering Information

KPCMCIA-PIO24-C
24-Bit Digital I/O
PCMCIA card with
KCAB-PIO-C

Accessories Supplied

Interface cable with software
and user's manual on CD-ROM

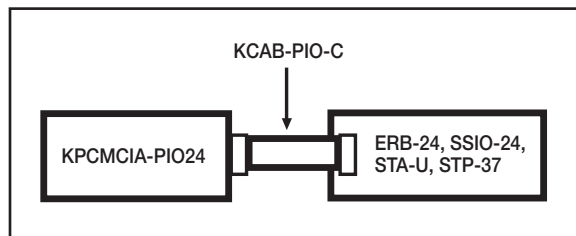
24-Line Parallel Digital I/O Board

The KPCMCIA-PIO24-C is a digital I/O PCMCIA card for use with notebook and other PCs equipped with a PCMCIA port. This card is ideal for applications that demand alarm monitoring and parallel communication in field and laboratory environments where space is at a premium or portability is required. The KPCMCIA-PIO24-C features 24 TTL/DTL-compatible digital I/O lines, each of which is buffered to enhance the card's drive capability. The card has an external interrupt request line that can be used with an external clocking signal to coordinate reading or writing of digital data or for event notification.

Specifications

BUS TYPE: PCMCIA Type II, PC Card Standard 2.1 compliant.
PHYSICAL DIMENSIONS: Type II PCMCIA card (5mm).
DIGITAL INPUT & OUTPUT: TTL compatible.
INPUT/OUTPUT CURRENT: 25mA maximum.
CURRENT SOURCE/SINK:
Sink: 6mA min. @ 0.33V
Sink: 20mA max. @ 1.0V
Source: 1.1mA max. into 0Ω at $V_{cc} = 5V$
OPERATING TEMPERATURE: 0°C to 50°C.
STORAGE TEMPERATURE: 0°C to 70°C.
HUMIDITY: 0 to 95%, non-condensing.
EMC: Conforms to European Union Directive 89/336/EEC.
SAFETY: Meets EN61010-1/IEC 1010.
WEIGHT: 1.5 oz.

Configuration Guide



APPLICATIONS

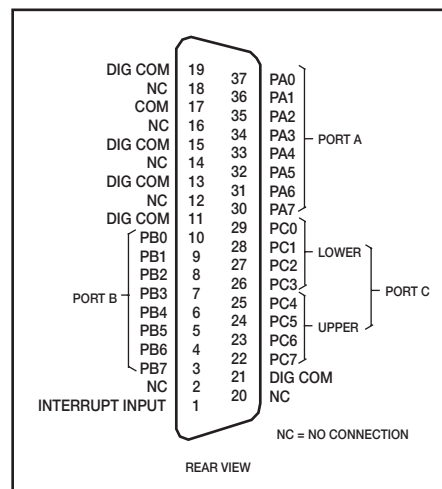
- Portable data acquisition
- Digital I/O control
- Alarm monitoring
- Event counting
- Parallel communication

ACCESSORIES AVAILABLE

ERB-24	Relay Card
SSIO-24 ¹	Solid-State Digital I/O Card
STA-U	Universal Screw Terminal Accessory
STP-37	Screw Terminal Panel
STP-37/C	STP-37 with added bottom case
TESTPOINT	TestPoint Application Software

¹ Solid-state I/O modules must be purchased separately.

Connector Pin Assignments



1.888.KEITHLEY (U.S. only)

www.keithley.com

KEITHLEY